

MARSH HEN

A 29' Vee bottom cruising power boat

STUDY PLAN

This boat is the result of a design/build commission from a gentleman who enjoys kayaking in the extensive marshlands of coastal South Carolina and Georgia. She would also make a fine little cruiser for a small family who was willing to get back to basics.

MARSH HEN's hull form shows genes from both William Hand's early vee bottom designs and the Maine lobster boat. Both parents contribute seaworthy and seakindly performance, good speeds with modest horsepower, and handsome looks. Her plywood construction is more accessible to amateur builders.

Plans are well detailed, and consist of 6 sheets: outboard profile, lines & offsets, inboard construction profile, construction sections, joinery details, and building jig. A CD of photos in JPEG format taken during the construction of the prototype is included in the price of plans.

PARTICULARS

LOA – 29' 2"

LWL -- 27' 6"

BEAM – 8' 6"

DRAFT, motor up – 17"

DISPLACEMENT – 5200 lb.

HULL TYPE – Vee bottom chine

CONSTRUCTION – Marine plywood topsides, double plywood bottom.

ALTERNATIVE CONSTRUCTION – Cold molded.

SUITABLE FOR – Somewhat protected waters.

TRAILERABLE – Yes

PROPULSION – 90 HP outboard

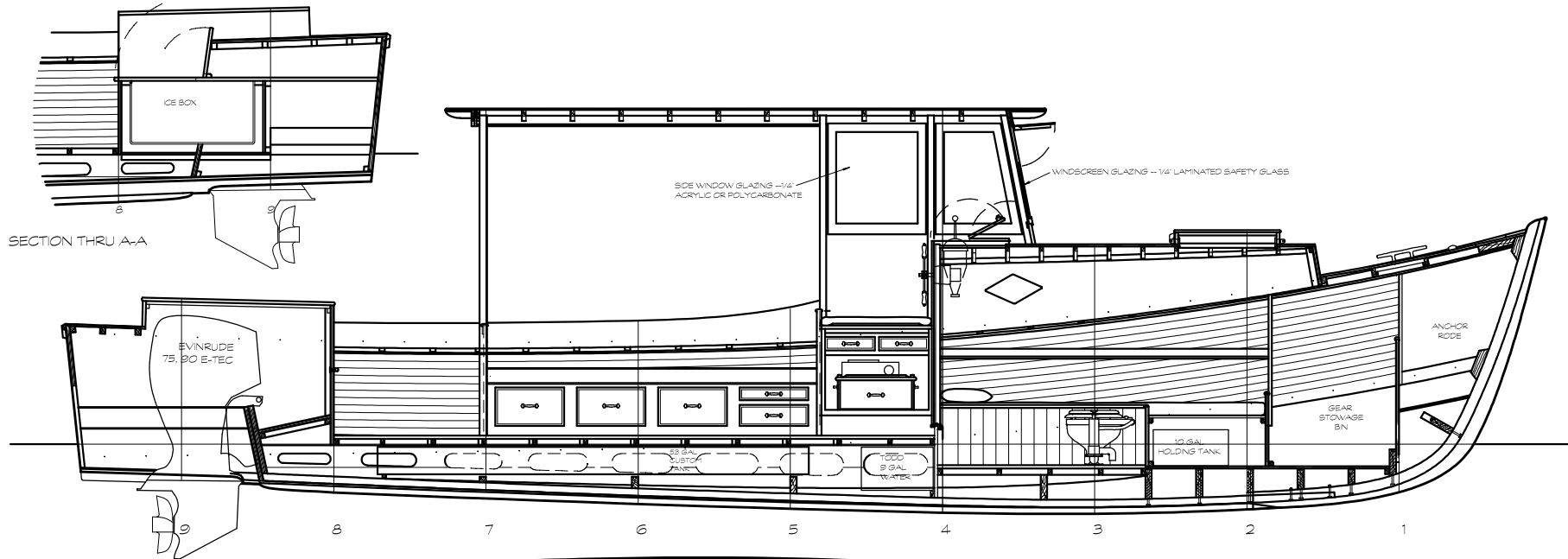
SPEED – Up to 18 kt.

SKILL REQUIRED – Intermediate

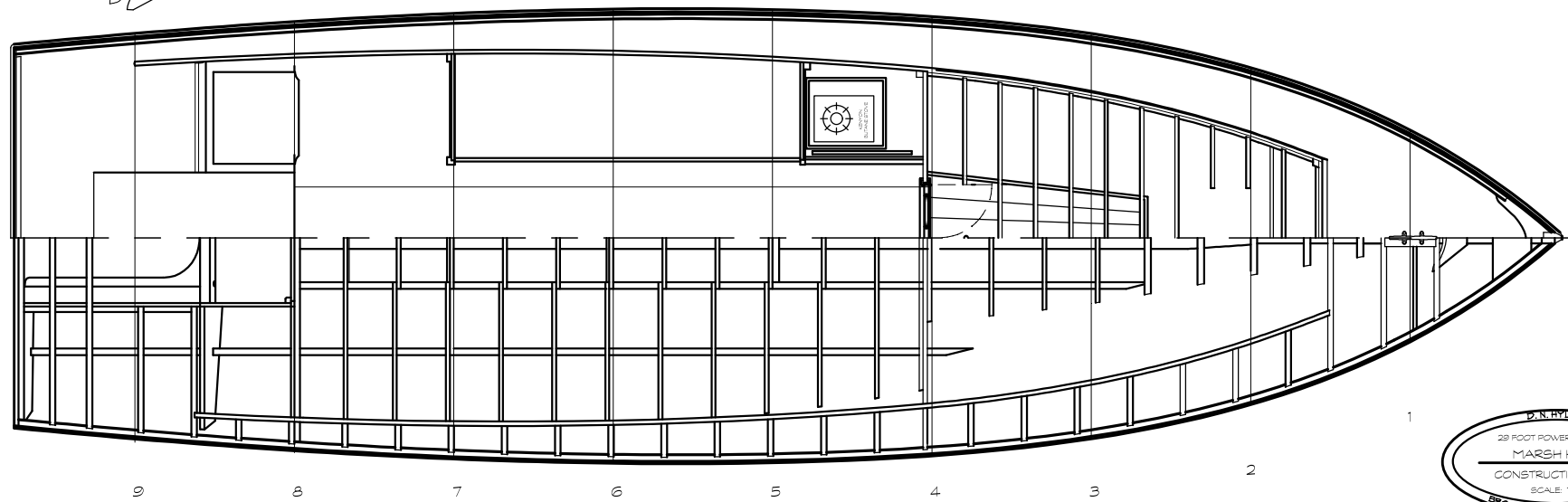
LOFTING REQUIRED – Yes, very simple

PLANS SHEETS – 6 PLANS DETAIL – Above average
PLANS COST – \$300.00 plus shipping & handling (check for current rates)
INCLUDED WITH PLANS – Photo CD, including 75 photos of construction & detailing.
TO PURCHASE PLANS – Send check or money order to Hylan & Brown, 10 Frank Day
Lane, Brooklin, ME 04616
Or go to www.dhylanboats.com and order the plans online using the PayPal ordering
system (which accepts most major credit cards).





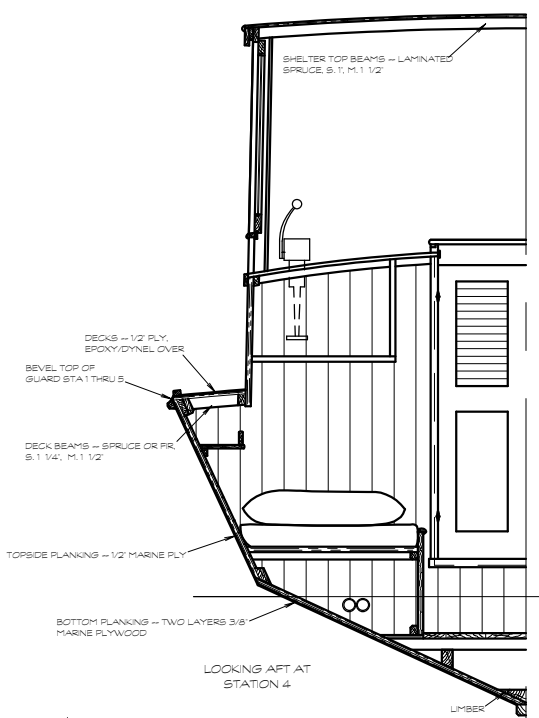
SECTION THRU A-A



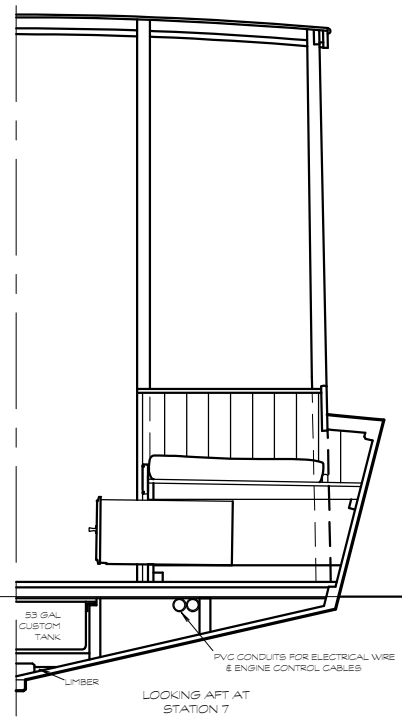
D. N. HYLAN
 28 FOOT POWER CRUISER
 MARSH HEN
 CONSTRUCTION PLAN
 SCALE: 1/4" = 1'
 BROOKLIN, MAINE 04812-0022

7/28/08

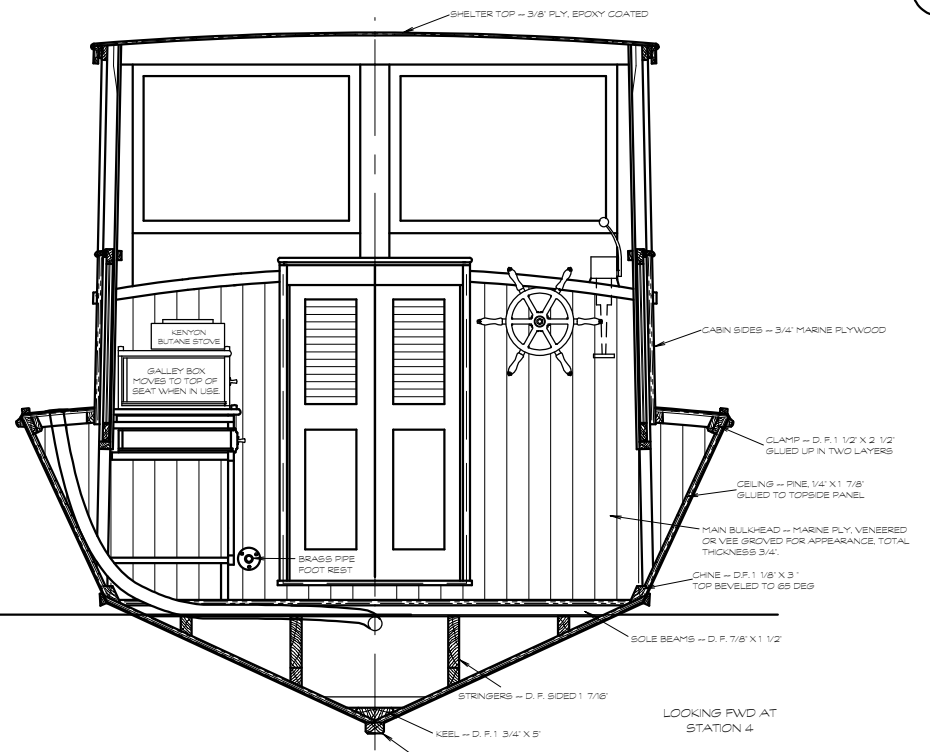
SHEET 3 OF 6



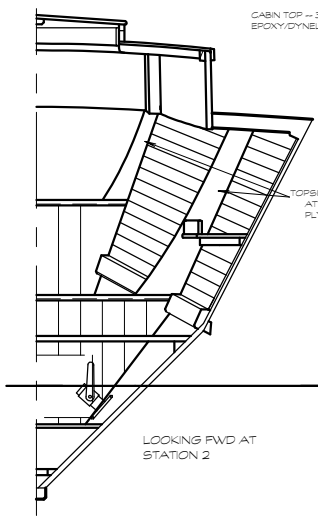
LOOKING AFT AT STATION 4



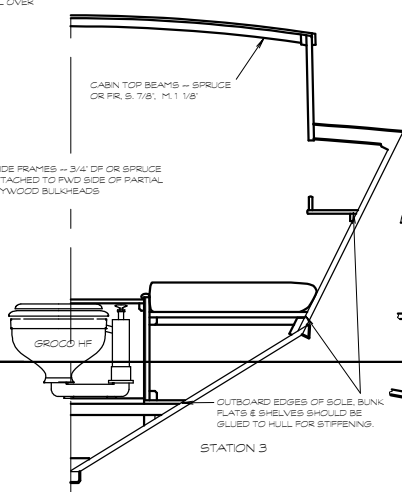
LOOKING AFT AT STATION 7



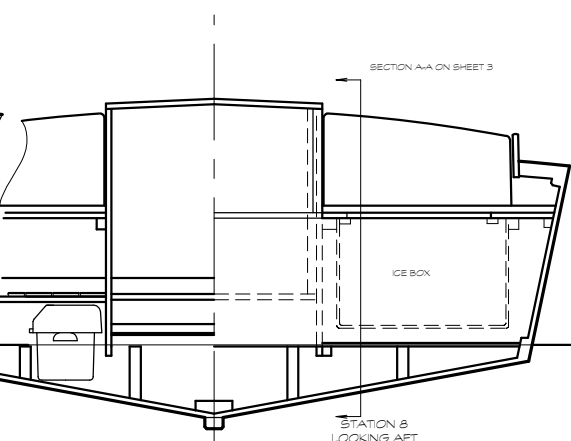
LOOKING FWD AT STATION 4



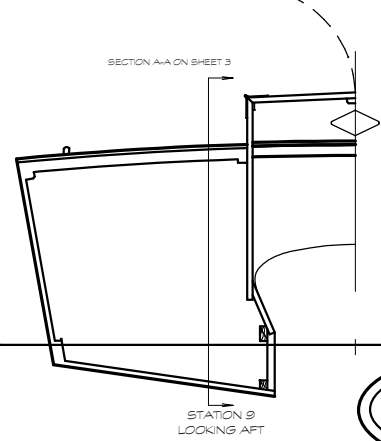
LOOKING FWD AT STATION 2



STATION 3



STATION 8 LOOKING AFT



STATION 9 LOOKING AFT

MOTOR WELL DIMENSIONS SHOWN ARE FOR EVINRUDE E-TEC SO. THEY WILL VARY FOR OTHER MOTORS.

D. N. HYLAN
28 FOOT POWER CRUISER
MARSH HEN
CONSTRUCTION SECTIONS
SCALE 1/2" = 1'
BROOKLYN NAME 0266-0266